

DA 20 AIRCRAFT WRITTEN TEST

Student Name:

Flight Instructor:

Date:

Aircraft Basic Familiarization & Limitations

- 1) Aircraft Dimensions:
 - Wingspan-
 - Length -
 - Height -

- 2) List the following speeds for the DA20-

V_{SO}	$V_{T/O}$
V_S	V_{LND}
V_R	V_{NO}
V_X	V_{NE}
V_Y	Normal Pattern:/...../.....
V_G	Flaps up Pattern/...../.....
$V_A < \text{___ lbs}$	
$V_A > \text{___ lbs}$	

- 3) . What is the engine make and model?
- 4) What is the maximum horsepower rating of the engine?
- 5) What type of engine induction system does the aircraft have?
-
- 6) What type of propeller is installed on the aircraft?
- 7) What is the maximum oil quantity?
- 8) What is the minimum oil quantity?
- 9) What is the minimum oil pressure?
- 10) Can mineral oil be used in the engine?
- 11) What is the maximum engine oil temperature?

DA 20 AIRCRAFT WRITTEN TEST

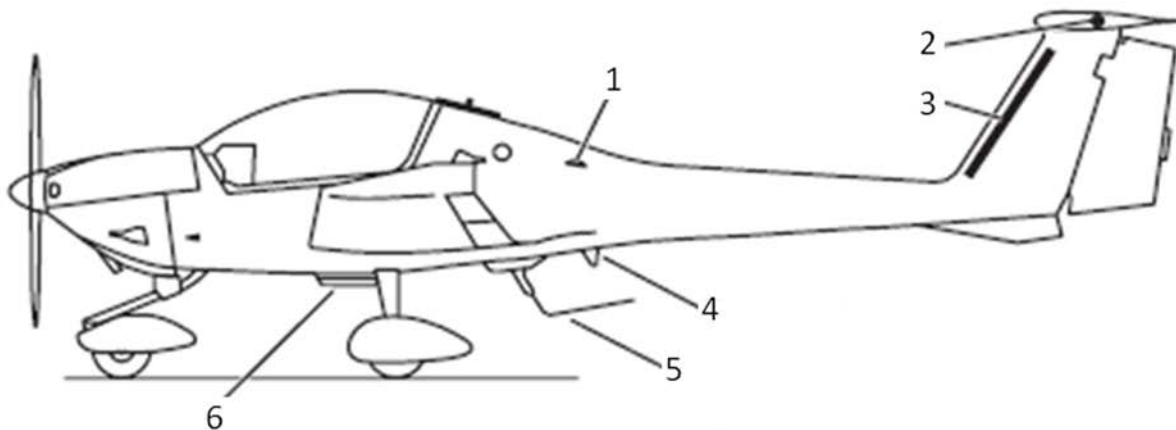
- 12) Does the aircraft have a maximum ramp weight?
- 13) What is the maximum takeoff weight?
- 14) Does the aircraft have a maximum landing weight?
- 15) Does the aircraft have a maximum zero fuel weight?
- 16) What is maximum weight allowed in the baggage compartment?
- 17) What are the load (g) limits for this aircraft?
-
- 18) What are the approved fuel grades (s)?
- 19) What is the maximum usable fuel quantity?
- 20) Where are the fuel drains located?
- 21) What is the maximum demonstrated crosswind component?
- 22) What is the basic construction of the airframe?
- 23) How are the wing flaps controlled and actuated?
- 24) How many control axes have trim?
- 25) How are the trim(s) actuated?
- 26) How is the parking brake actuated?
- 27) How is heating and defrosting provided for the aircraft?
-
- 28) Describe the electrical system.....
-
-
- 29) How many electrical buses are in the aircraft?

DA 20 AIRCRAFT WRITTEN TEST

30) What type of stall warning system is installed?

31) Label the following antennas on the DA20:

- | | |
|---------|---------|
| 1. | 4. |
| 2. | 5. |
| 3. | 6. |



Emergency and Abnormal Procedures

1). What is the procedure for a rejected takeoff?

.....

2) What is the best glide speed?

3) What procedure do you follow if you have an engine failure after takeoff?

.....

DA 20 AIRCRAFT WRITTEN TEST

4) What procedure do you follow if you have an engine fire in flight?

.....
.....

5) What procedure do you follow if you have an electrical fire in flight?

.....
.....

6) What are the indications and the procedure for induction system icing in this aircraft?

.....
.....

7) What is the procedure for an alternator warning light illumination?

.....
.....

8) What is the procedure for an emergency descent?

.....
.....